

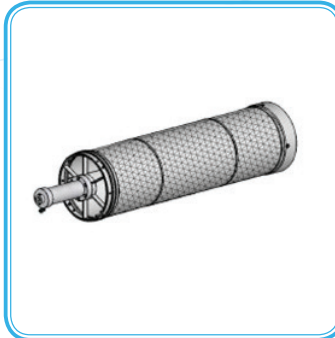
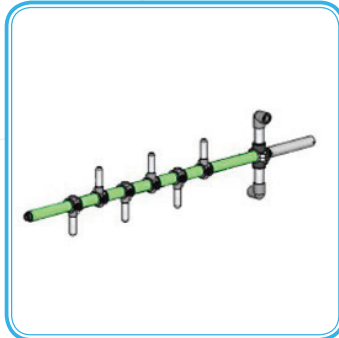
FILTERS | AUTOMATIC SELF CLEANING SCREEN FILTERS |  
HYDRAULIC ODISMATIC FILTERS

**ODISMATIC 853R**



Inlet Outlet Diameter	Filtering Grade
50 mm / 2"	30 micron
80 mm / 3"	50 micron
100 mm / 4"	80 micron
150 mm / 6"	100 micron
200 mm / 8"	120 micron
250 mm / 10"	150 micron
300 mm / 12"	200 micron
350 mm / 14"	300 micron
	400 micron

**SPARES:**



**Name Series**  
**Application**

**OdisMatic 853R**  
Used as Economic Automatic Screen Filter for water containing large quantities of dirt. The filter contains an Hydraulically operated Collector with Suction Nozzles to ensure continuous trouble free operation. For: Water recycling, Industrial waste water and Drinking water.

**Inlet Outlet Diameter**  
**Max Flow Rate**  
**Max Pressure**  
**Min Working Pressure**  
**Filtering Grade**  
**Operation**  
**Control**

50 mm / 2" up to 350 mm / 14"  
25 m<sup>3</sup>/h / 110 gpm up to 550 m<sup>3</sup>/h / 2400 gpm  
10 bar (150 psi)  
**2 bar (30 psi)**  
30 micron up to 400 microns  
Automatic  
Hydraulic, Manual