

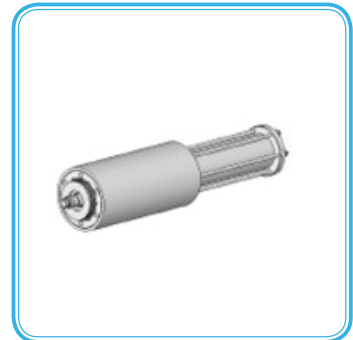
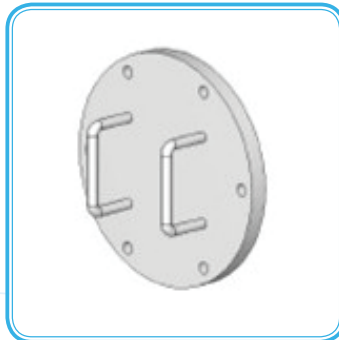
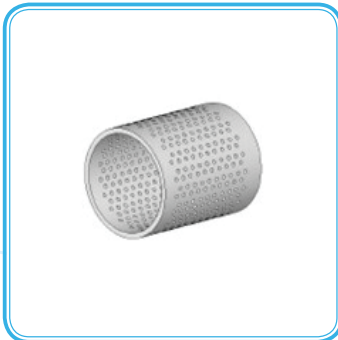
FILTERS | AUTOMATIC SELF CLEANING SCREEN FILTERS |
HYDRAULIC ODISMATIC FILTERS

ODISMATIC 850 PARALLEL - EXTENDED



Inlet Outlet Diameter	Filtering Grade
80 mm / 3"	30 micron
100 mm / 4"	50 micron
150 mm / 6"	80 micron
200 mm / 8"	100 micron
	120 micron
	150 micron
	200 micron
	300 micron
	400 micron

SPARES:



Name Series
Application

OdisMatic 850 Parallel - Extended
Automatic Self Cleaning Screen Filter in places without electricity. Industrial waste water. Cooling towers process water. Process water. Water recycling. Municipal sewage. Pre filtration. For various industrial liquids, Sea water and Drinking water. Protection of hydraulic equipments like pumps valves and spraying nozzles.

Inlet Outlet Diameter
Max Flow Rate
Max Pressure
Min Working Pressure
End Connection Type
Filtering Grade
Operation
Control

80 mm / 3" up to 200 mm / 8"
40 m³/h / 175 gpm up to 300 m³/h / 1315 gpm
10 bar (150 psi)
2 bar (30 psi)
Flange
30 micron up to 400 microns
Automatic
Hydraulic, Manual